



EKC1-0910M

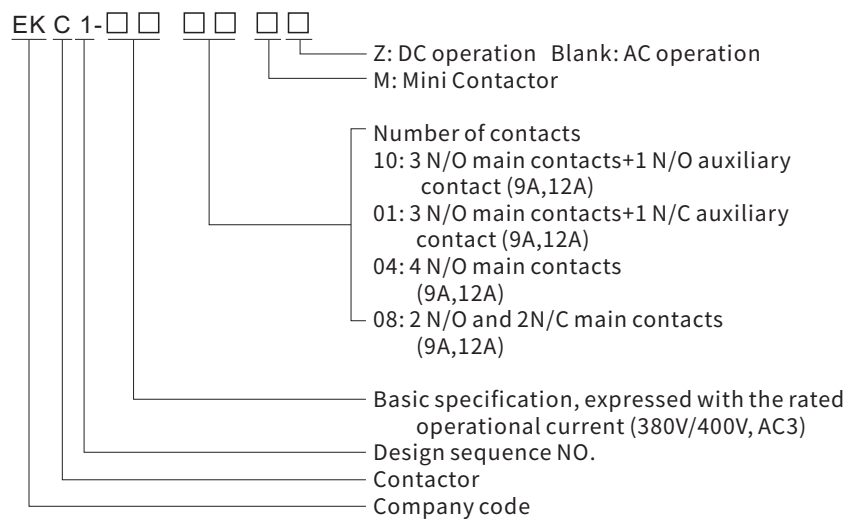
Technical Data

Description	Application	Remote making & breaking circuits Protect circuit from over-load when assembling with thermal over-load relay Frequent start-up and control of AC contactor
	Electric value	AC50/60Hz, 690V, up to 12A
	Utilization category	AC-3, AC-4
	Altitude	≤2000m
	Ambient temperature	-5°C~+40°C
	Mounting category	III
	Mounting conditions	Inclination between the mounting plane and the vertical plane should not exceed ±5°
	Standard	IEC/EN 60947-4-1. IEC/EN 60947-5-1.

Control Coil Voltage AC Coil Operation	Volts(VAC)	24	36	42	48	110	127	220	230	240	380	415	440	480	500	600
	Code	B5	C5	D5	E5	F5	G5	M5	P5	U5	Q5	N5	R5	-	S5	Y5
	Code	B6	-	D6	E6	F6	G6	M6	-	U6	Q6	-	R6	T6	-	-
Code	B7	-	D7	E7	F7	-	M7	P7	-	Q7	N7	R7	-	-	-	

DC Coil Operation	Volts(VDC)	12	24	36	48	110	220
	Code	JD	BD	CD	ED	FD	MD

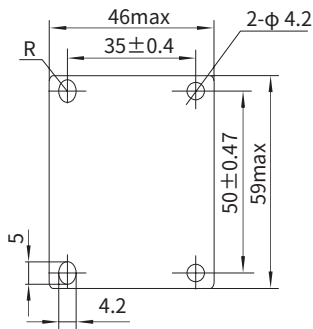
Type Designation



Technical Data

Technical Specification	Standard	IEC/EN60947-4-1 IEC/EN60947-5-1	
	Model No.	EKC1-09M	EKC1-12M
Rated Conventional Heating Current	I _{th} (A)	20	20
Rated Voltage U _i (V)	U _i (V)	690	690
Rated Operation Current U _e =380/415V	AC-3 I _e (A)	9	12
	AC-4 I _e (A)	3.5	5
Power Controlled	220/240V KW	2.2	3
	380/415V KW	4	5.5
	660/690V KW	5.5	7.5
Electrical life(x10 ³ operations)	AC-3	1000	1000
	AC-4	200	200
Mechanical life(x10 ⁶ operations)		10	10
Matched Fuse	Size	RT16-00	RT16-00
	A	20	20
Main circuit		3P or 4P	
Auxiliary circuit Cat.:AC-15,U _e =415V I _e =0.95A I _{th} =10A		1NO or 1NC	

Overall and Installation Dimension(mm)



EKC1-09~12M

